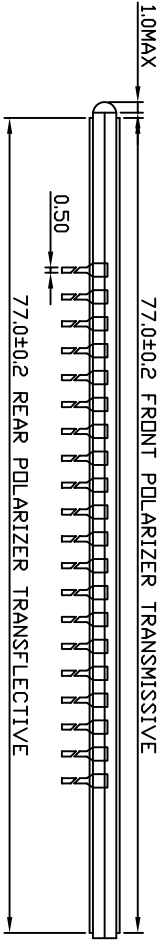
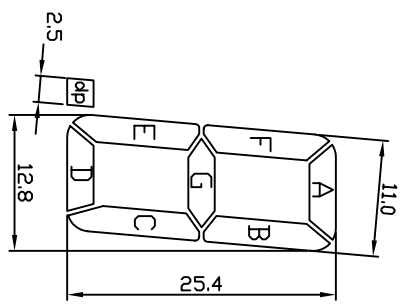
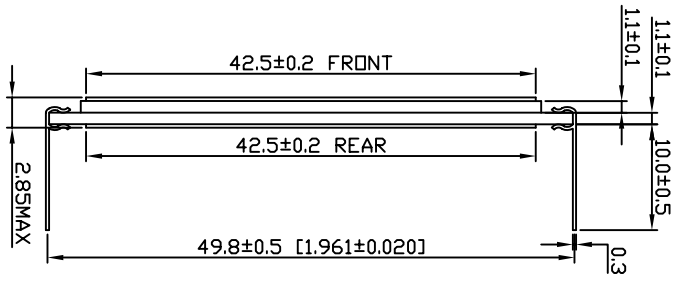
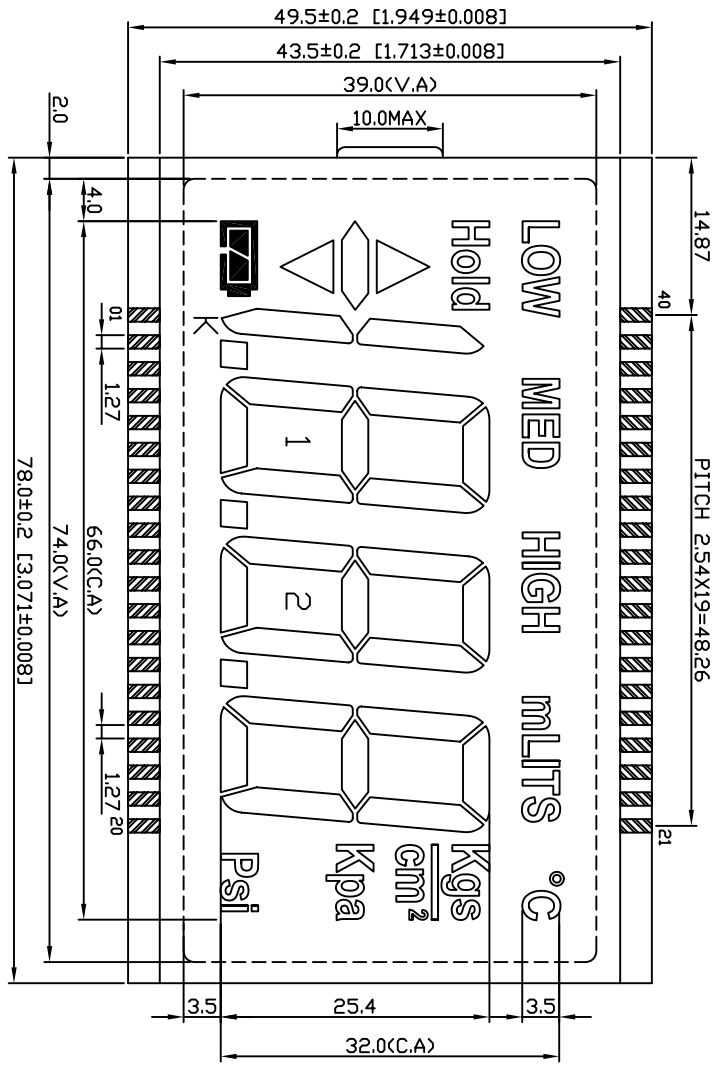


RevNo	Revision note	Date	Signature	Checked
-------	---------------	------	-----------	---------



SEG	Kgs	°C	3B	3A	LITS	n	3F	2B	2A	HIGH	2F	1B	1A	MED	1F	1G	Hold	LDV	▲	-
Pin#	21	22	23	24	25	26	27	28	29	30	31	32	33	34	35	36	37	38	39	40
SEG	COM	▼	K	dp1	1E	1D	1C	DP2	2E	2D	2G	2C	dp3	3E	3D	3G	3C	Kpa	Psi	
Pin#	1	2	3	4	5	6	7	8	9	10	11	12	13	14	15	16	17	18	19	20

- NOTES:
1. OPERATING TEMPERATURE: -15°C TO 65°C
 2. STORAGE TEMPERATURE: -20°C TO 70°C
 3. TOLERANCE OF SEGMENTS TO EDGE OF GLASS ± 0.2MM
 4. PIN : LC-001-1.0

ND.	CONTENT	DATE	DUTY CYCLE	
A			BIAS	
M			4.5 D.V.	PRODUCT NO. LMC0042
N			6 D/CLOCK	DVN P KUMARAVEL
D				CHKD N SIVA PRASAD
				UNIT IN SCALE UNIT
				APPD N SIVA PRASAD
				REV /
				DRAW NO.