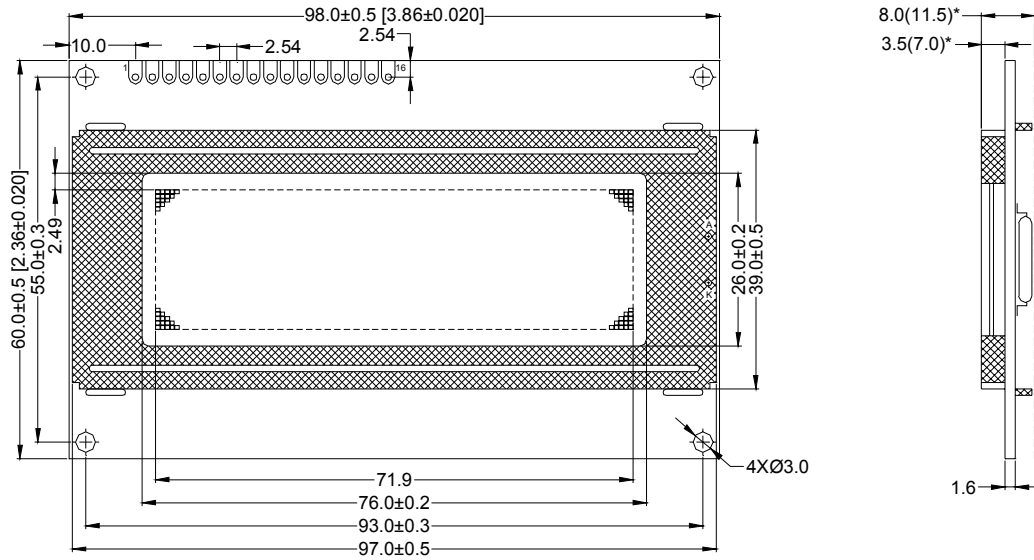
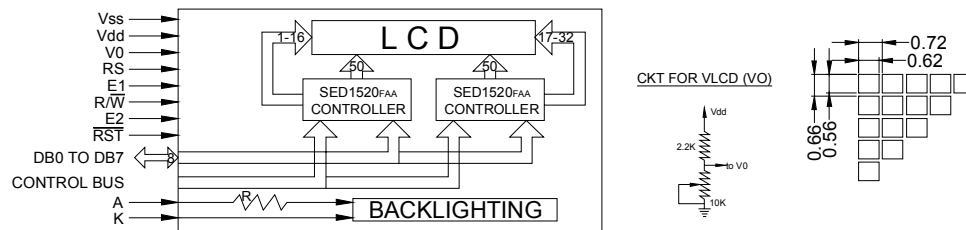


LG100320 [100 x 32, 1/32 MUX]

DIMENSION IN MM



BLOCK DIAGRAM



[*] DIMENSIONS FOR LED BACKLIGHT VERSION

TABULATED DATA

MODEL	DISPLAY FORMAT DOT x DOT	DRIVING DUTY	DOT SIZE W x H	DOT PITCH W x H	VIEWING AREA W x H	PCB SIZE W x H
LG100320	100 x 32	1/32	0.62 x 0.56	0.72 x 0.66	76.0 x 26.0	98.0 x 60.0

ELECTRICAL DATA (Ta = 25°C, Vdd = +5V ± 0.25V)

ITEM	SYMBOL	TEST CONDITION	STANDARD VALUES			UNITS
			MIN.	TYP.	MAX.	
Input High Voltage	V _{iH}	-	0.7	-	V _{dd}	V
Input Low Voltage	V _{iL}	-	V _{SS}	-	0.3	V
Output High Voltage	V _{oH}	I _{oH} = 0.2mA	3.5	-	-	V
Output Low Voltage	V _{oL}	I _{oL} = 1.2mA	-	-	0.4	V
Supply Current	I _{dd}	V _{dd} = 5.0V	-	1.8	2.8	mA
Operating Voltage for LCD	V _{dd} -V _o	Ta = 0°C	3.2	3.6	4.2	V
		Ta = 25°C	2.8	3.2	3.8	V
LED Backlight Current	I _{LED}	V _{dd} = 5.0V	90	120	140	mA

PIN DETAILS

PIN No.	DESCRIPTION	PIN No.	DESCRIPTION	PIN No.	DESCRIPTION
1	Gnd	5	R / \bar{W}	16	\bar{RST}
2	Vcc	6	E1	17	LED BL (A)
3	Vo	7 to 14	DB0 to DB7	18	LED BL (K)
4	RS	15	E2		

MAX. RATINGS

ITEM	MAX.
Top	-10 to +60°C
Tst	-20 to +70°C
V _{dd}	+5Volts
RH %	90 %