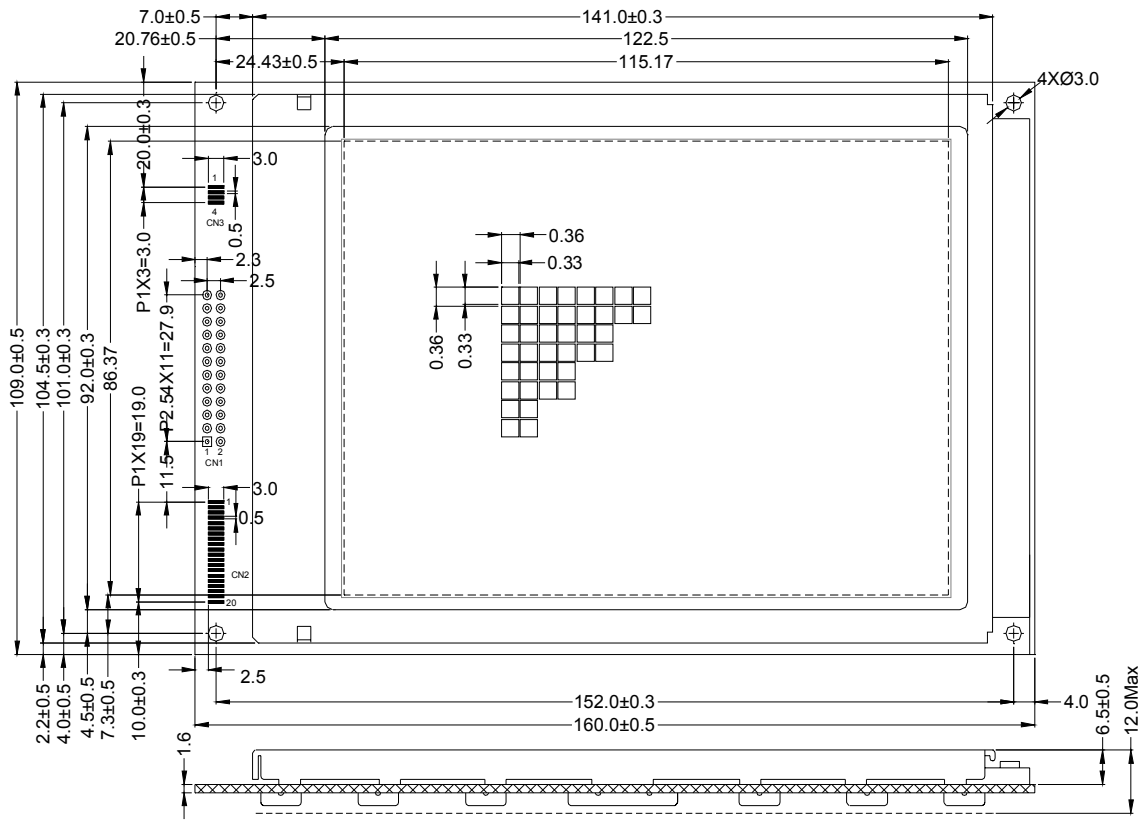


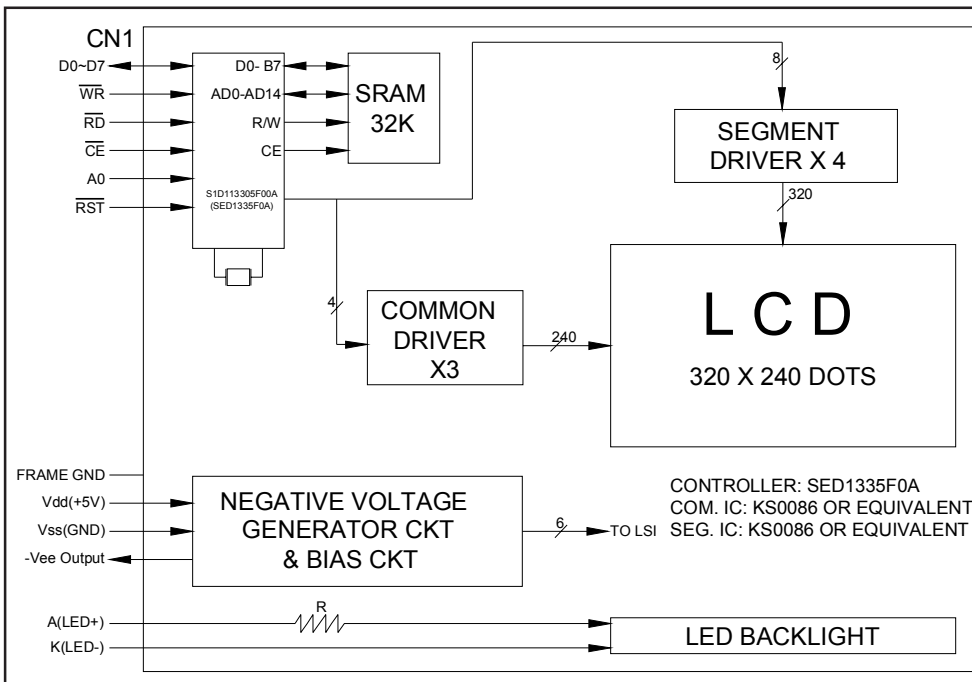
LG322401 [320 x 240, 1/240 MUX]

DIMENSION IN MM



[*] DIMENSIONS FOR LED BACKLIGHT VERSION

BLOCK DIAGRAM



PIN DETAILS

PIN No.	DESCRIPTION	
	CN 1	CN 3
1	VSS	T/P(Y2)
2	V _{DD}	T/P(X2)
3	V ₀	T/P(Y1)
4	A ₀	T/P(X1)
5	RD	
6	WR	
7	DB0	
8	DB1	
9	DB2	
10	DB3	
11	DB4	
12	DB5	
13	DB6	
14	DB7	
15	CS	
16	RST	
17	-VEE O/P	
18	FRAME GND	
19	A(LED+)	
20	K(LED-)	
21	T/P(Y2)	
22	T/P(X2)	
23	T/P(Y1)	
24	T/P(X1)	

TABULATED DATA

MODEL	DISPLAY FORMAT DOT x DOT	DRIVING DUTY	DOT SIZE W x H	DOT PITCH W x H	VIEWING AREA W x H	PCB SIZE W x H
LG322401	320 x 240	1/240	0.33 x 0.33	0.36 x 0.36	122.5 x 92.0	160.0 x 109.0